

Forged Carbon Steel - 3000# Threaded

3000#

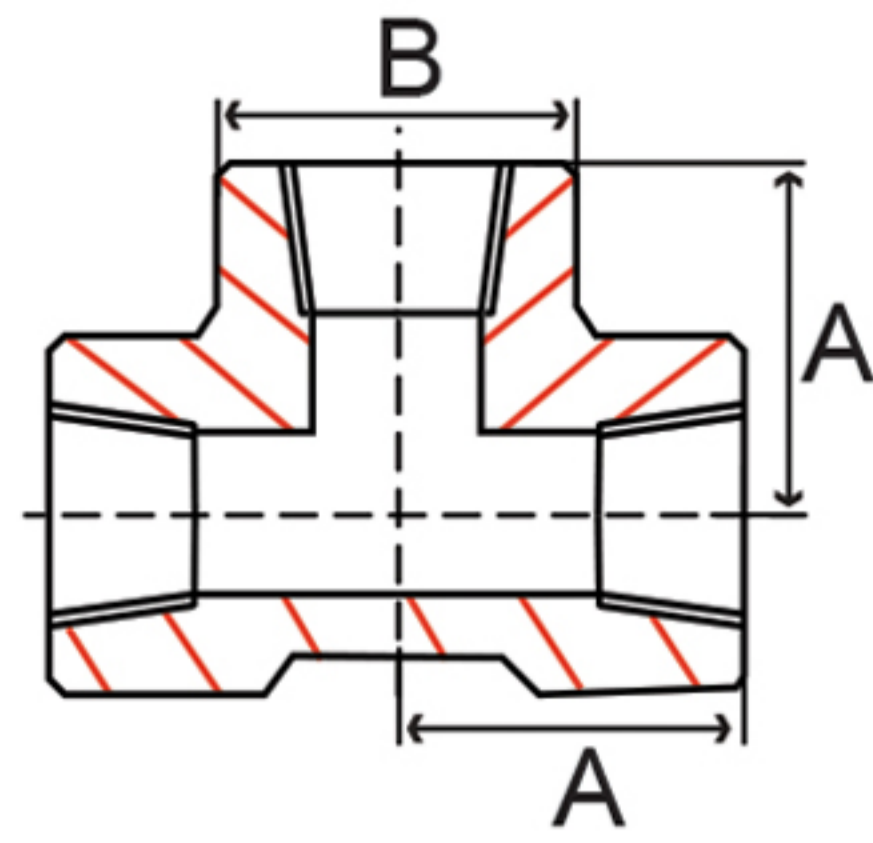


Fig. 42T 3 - Tee

Size IN	Part Number	A IN	B IN	Master	Weight LB
1/8	42T 3001	0.81	0.88	80	0.2
1/4	42T 3002	0.97	1.00	80	0.4
3/8	42T 3003	1.12	1.31	50	0.8
1/2	42T 3004	1.31	1.50	35	1.2
3/4	42T 3006	1.50	1.81	20	2.0
1	42T 3010	1.75	2.19	15	3.2
1-1/4	42T 3012	2.00	2.44	10	3.8
1-1/2	42T 3014	2.38	2.97	5	7.2
2	42T 3020	2.50	3.31	4	7.7
2-1/2	42T 3024	3.25	4.00	2	15.4
3	42T 3030	3.75	4.75	1	22.4
4	42T 3040	4.50	6.00	1	39.6

FORGED